

Terms and Freight Policy -

All prices are based on FOB our warehouse. Net 30 days can be arranged upon approval on open account others will be prepaid. Any past due account is subject to a financial charge at 1.5% on unpaid balance billed monthly. No further shipment will be honored until account is brought back to current. Service charges will apply to all the returned checks. Unless you specify otherwise, will use a carrier and route of our choice. Claim for loss or damage in transit should be made by you against the carrier. All goods are shipped at the customers risk; our responsibility ceases upon delivery in good order to the carrier.

Receipt and Return Goods Policy -

All goods are shipped and invoiced FOB our warehouse plus the freight costs. Unless you specify otherwise, we will use a common carrier and route of our choice. Special arrangement may be available and subject to our final confirmation. To protect your interest, it is suggested that to file the damage report with the carrier upon reception of damaged or open shipment.

Any discrepancy regarding the shipment must be claimed within 5 days after merchandise received. A RGA number must be obtained from our CSR prior to the merchandise returned. The RGA number is valid for 2 weeks from the date issued. All returns must be in original packaging and saleable condition. A 25% restocking charge and freight will apply to all goods returned within 60 days from date of invoice. A 35% restocking charge and freight will apply to all goods returned after 60 days from date of invoice. No merchandise held over 120 days from the date of invoice will be accepted for return. No returns will be accepted on special ordered, custom made or non-stock item, other than factory defect.

Orders and Cancellations -

Order and/or cancellations will not be processed without written confirmation from customer. Any order shipped before written request of cancellation or change is received will incur handling charges as stated above. Special orders and custom made items are not cancelable after a period of 3 days from date of order. Partial orders shall be accepted by the customer and paid for at the contract prices and terms. Order received by Baton constitute acceptance of terms outlined in this document. Baton is not responsible for any loss or damage due to delays or extended delivery dates of goods.

Limited Warranty -

Baton warrants that its products will be free from defects in materials and workmanship (excluding oxidation or discoloration) for a period of one year from the date of sales to the user. Our only obligation will be to replace the defective product or parts upon inspection, together with proof of purchase from one of our agents dated within the warranty period. **We assume no liability for any labor charges regarding the removal or reinstallation of the products; nor will we cover any freight, postage, traveling or handling expense relative to the product. Damage caused by accident, misuse, abuse or improper installation are not covered by this warranty. Except as expressly stated herein, there is no warranty, whether expressed or implied, provided by Baton. No other person has authority to assume any obligation or liability in addition to this warranty.**

Validity and Special Note -

This catalogue with Price List enclosed is good for six (6) months from the date issued and supersedes all previous catalogues and Price Lists. Baton is not responsible for any typographic errors or errors in indication.

Series 'Q' Store Front locks Lever Handle & Accessories

Baton series 'Q' Store front locks are made of heavy gauge steel and zinc plated for long lasting operation. The lock cases take any standard Mortise Cylinder (1.15"- 32uns) that is formed with an 'AR' cam.

Three models are available:

Model Q1131/1136 Swing Bolt

Two concealed hardened steel rollers are installed inside the laminated swing bolt to add resistance against sawing or cutting through the bolt.

Model Q1231/1236 Hock Bolt

One concealed hardened steel roller is installed inside the laminated hock bolt to add resistance against sawing or cutting through the bolt.

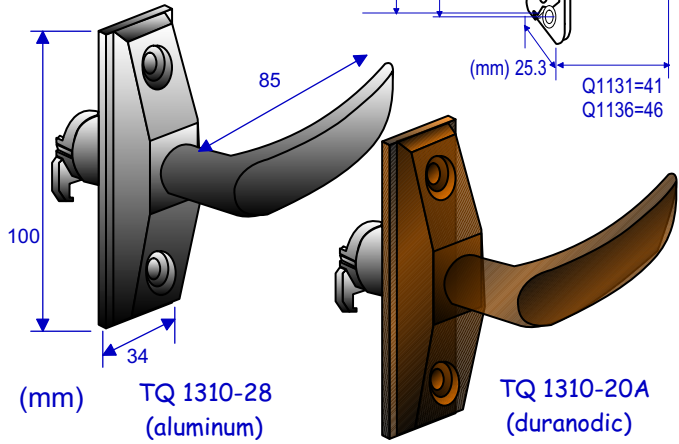
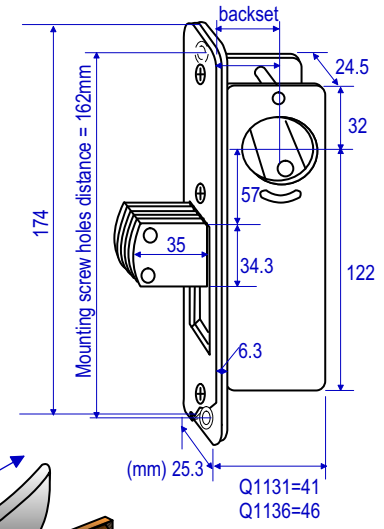
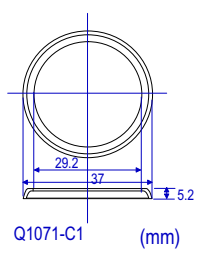
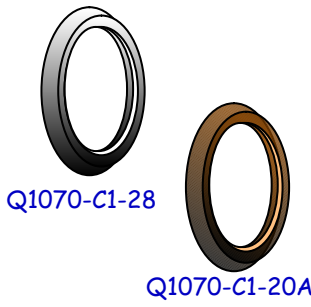
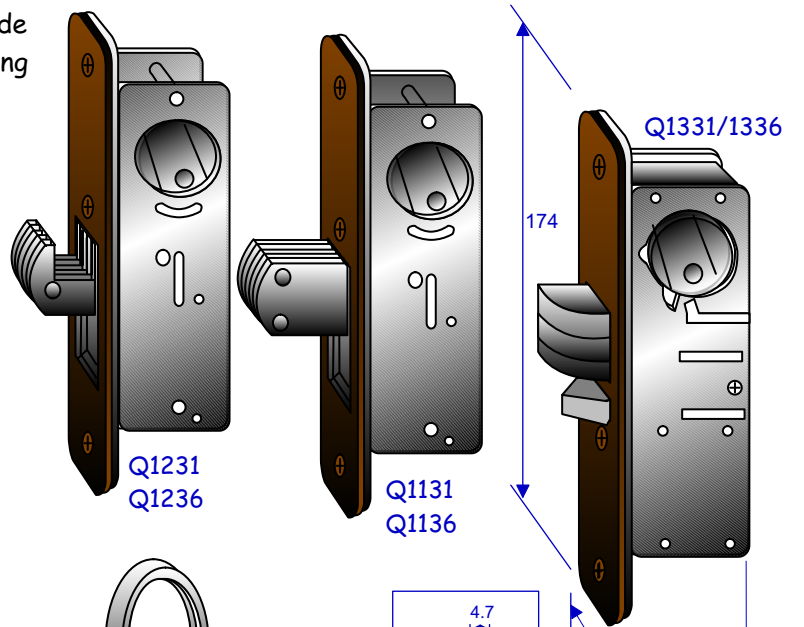
Model Q1331/1336 Latch Bolt

The spring loaded latch bolt is featured with a nylon insert to ensure smooth and quiet operation. Auxiliary latch deadlocking the latch bolt. Specify right hand or left hand when ordering.

Furnished with Aluminum Faceplate and Screws.
Available in Aluminum(28) or Duranodic(20A).

The Lever Handle TQ1310 is designed to operate the models Q1331/1336 Latch Bolt. Specify right hand or left hand when ordering. Driving mechanism included.

Finishes: Aluminum(28) or Duranodic(20A)



Q01

Stock Nos.		Description	Finish
31/32"	1-1/8"		
Q1131	Q1136	Swing bolt	20A, 28
Q1231	Q1236	Hock bolt	
Q1331	Q1336	Latch bolt	
TQ1310		Lever Handle	

Cylinder Ring/Spacer is made of aluminum and available to order from stock. 1/8" projection. Aluminum or duranodic, please specify.

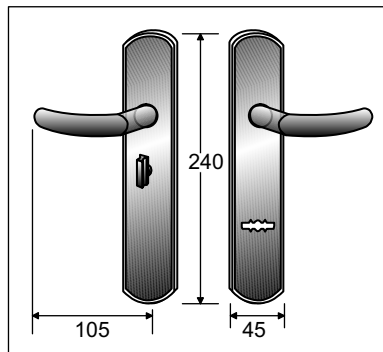
Stock Nos.	Description
Q1070-C1-28	Cylinder Ring, aluminum
Q1070-C1-20A	Cylinder Ring, duranodic

Multi-Point Entrance Lock Case

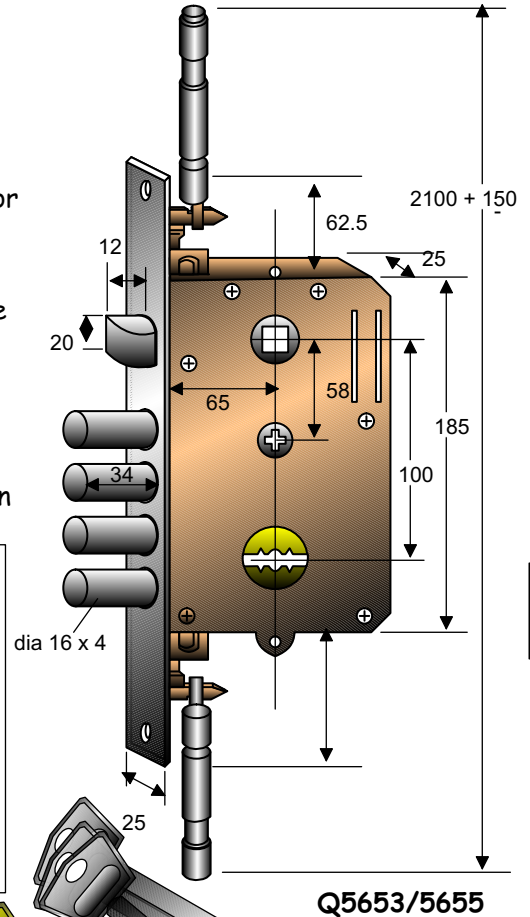
Series Q5650 Heavy duty Mortise Lock case is built with quality metal working parts, ensuring long lasting and trouble free operation. Constructed with four carbon steel locking bolts (each with 1-5/16" throw of 5/8" diameter). The interior locking mechanism is comprised of a precision 5-lever system that requires 4 turns of the operating key to unlock from outside. Latch by Lever either side except the deadbolts are thrown by thumb turn inside or key outside. Inside Lever retracts latch & deadbolts simultaneously.

Two models 3 points locking or 5 points locking are available to order. Supplied with 3 operation keys plus one construction key as standard. Furnished with Lever trim, Strike and mounting accessories. These two models provide state-of-the-art quality for optimal security needs.

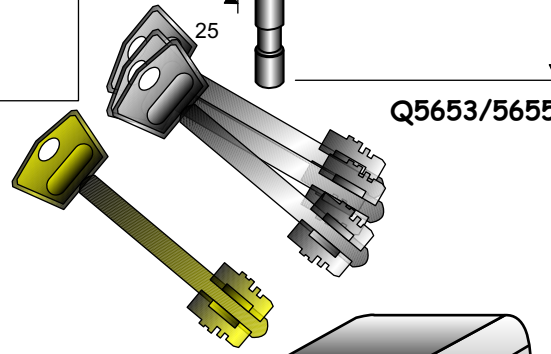
Finish: US32D



Stock No.	Description
Q5653LL-32D	Mortise Lock Set, 3-point locking
Q5655LL-32D	Mortise Lock Set, 5-point locking



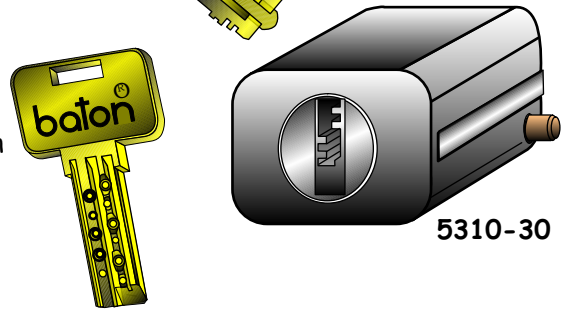
Q02



Q5653/5655

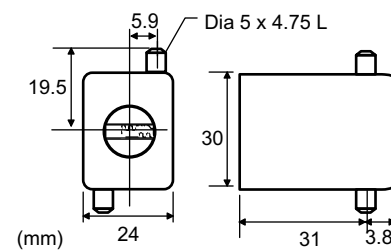
Lock Block for Safe

Chrome plated Lockblock is made of solid alloy; constructed with two steel locking bolts and anti-picking brass pin tumblers precision. The 11 brass pin tumblers are built in two interlocking rolls, presents tens of millions of different key combinations. The unique user friendly dimple style nickel silver key is reversible. Key Differently (KD) or Master Keying (MKD) are available from stock. One key per lock as standard.



5310-30

Stock No.	Description
5310DA30F7	Lock Block, KD w/1 key
5310MA30F7	Lock Block, MKD w/1 key



Measurement Chart - Inch vs. MM

Inch		MM
1/16"	0.0625"	1.5875
1/8"	0.1250"	3.1750
3/16"	0.1875"	4.7625
1/4"	0.2500"	6.3500
5/16"	0.3125"	7.9375
3/8"	0.3750"	9.5250
7/16"	0.4375"	11.1125
1/2"	0.5000"	12.7000
9/16"	0.5625"	14.2875
5/8"	0.6250"	15.8750
11/16"	0.6875"	17.4625
3/4"	0.7500"	19.0500
13/16"	0.8125"	20.6375
7/8"	0.8750"	22.2250
15/16"	0.9375"	23.8125
1"	1.0000"	25.4000

Inch		MM
1-1/16"	1.0625"	26.9875
1-1/8"	1.1250"	28.5750
1-3/16"	1.1875"	30.1625
1-1/4"	1.2500"	31.7500
1-5/16"	1.3125"	33.3375
1-3/8"	1.3750"	34.9250
1-7/16"	1.4375"	36.5125
1-1/2"	1.5000"	38.1000
1-9/16"	1.5625"	39.6875
1-5/8"	1.6250"	41.2750
1-11/16"	1.6875"	42.8625
1-3/4"	1.7500"	44.4500
1-13/16"	1.8125"	46.0375
1-7/8"	1.8750"	47.6250
1-15/16"	1.9375"	49.2125
2"	2.0000"	50.8000

Inch		MM
2-1/16"	2.0625"	52.3875
2-1/8"	2.1250"	53.9750
2-3/16"	2.1875"	55.5625
2-1/4"	2.2500"	57.1500
2-5/16"	2.3125"	58.7375
2-3/8"	2.3750"	60.3250
2-7/16"	2.4375"	61.9125
2-1/2"	2.5000"	63.5000
2-9/16"	2.5625"	65.0875
2-5/8"	2.6250"	66.6750
2-11/16"	2.6875"	68.2625
2-3/4"	2.7500"	69.8500
2-13/16"	2.8125"	71.4375
2-7/8"	2.8750"	73.0250
2-15/16"	2.9375"	74.6125
3"	3.0000"	76.2000

Inch		MM
3-1/16"	3.0625"	77.7875
3-1/8"	3.1250"	79.3750
3-3/16"	3.1875"	80.9625
3-1/4"	3.2500"	82.5500
3-5/16"	3.3125"	84.1375
3-3/8"	3.3750"	85.7250
3-7/16"	3.4375"	87.3125
3-1/2"	3.5000"	88.9000
3-9/16"	3.5625"	90.4875
3-5/8"	3.6250"	92.0750
3-11/16"	3.6875"	93.6625
3-3/4"	3.7500"	95.2500
3-13/16"	3.8125"	96.8375
3-7/8"	3.8750"	98.4250
3-15/16"	3.9375"	100.0125
4"	4.0000"	101.6000

Inch		MM
4-1/16"	4.0625"	103.1875
4-1/8"	4.1250"	104.7750
4-3/16"	4.1875"	106.3625
4-1/4"	4.2500"	107.9500
4-5/16"	4.3125"	109.5375
4-3/8"	4.3750"	111.1250
4-7/16"	4.4375"	112.7125
4-1/2"	4.5000"	114.3000
4-9/16"	4.5625"	115.8875
4-5/8"	4.6250"	117.4750
4-11/16"	4.6875"	119.0625
4-3/4"	4.7500"	120.6500
4-13/16"	4.8125"	122.2375
4-7/8"	4.8750"	123.8250
4-15/16"	4.9375"	125.4125
5"	5.0000"	127.0000

Inch		MM
5-1/16"	5.0625"	128.5875
5-1/8"	5.1250"	130.1750
5-3/16"	5.1875"	131.7625
5-1/4"	5.2500"	133.3500
5-5/16"	5.3125"	134.9375
5-3/8"	5.3750"	136.5250
5-7/16"	5.4375"	138.1125
5-1/2"	5.5000"	139.7000
5-9/16"	5.5625"	141.2875
5-5/8"	5.6250"	142.8750
5-11/16"	5.6875"	144.4625
5-3/4"	5.7500"	146.0500
5-13/16"	5.8125"	147.6375
5-7/8"	5.8750"	149.2250
5-15/16"	5.9375"	150.8125
6"	6.0000"	152.4000

X06



- The Lock Company